

LITHIUM BATTERY

LifePO4

Features

- a powerful 12V LiFePO₄ battery product, has been designed to provide power backup for remote or outside telecom plants like Access Terminals, Base Transceiver Stations, Base Station Controllers.

Benefits

- Increased energy in given space.
- Easy installation.
- Maintenance-free.
- High operational reliability.
- Excellent long life time.
- Preventive but not premature replacement at end of life.

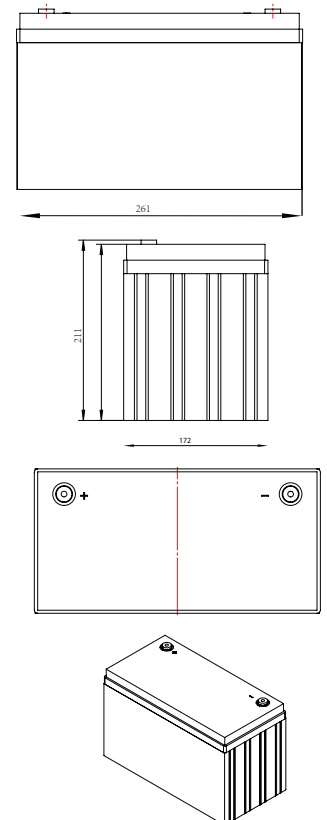
Specifications

Nominal Characteristics		WT-1281000-LSS
Nominal Voltage		12.8V
Typical Capacity		100Ah(0.2C, 25°C)
Typical Energy		1280 Wh
Volumetric Energy Density		135.1Wh/dm ³
Gravimetric Energy Density		116.36 Wh/kg
Dimensions	Width	261mm
	Height	211mm
	Depth	172 mm
Typical Weight		11Kg
Electrical Characteristics		
Voltage Window		10.8~14.4V
Charge Voltage Range		14.0~14.4V
Max. Permanent Discharge Current		100A
Max. Permanent Charge Current		100A
Faradic Charge Efficiency		99% (+20°C)
Energy Charge Efficiency		94% (+20°C)
Terminal		M8
Additional Features (optional feature)		--
Operation Environment		
Charge Temperature		0°C to +55°C
Discharge Temperature		-20°C to +60°C
Storage Temperature		-20°C to +60°C
Protection Class		IP68

12.8V-100Ah



Drawing



LITHIUM BATTERY

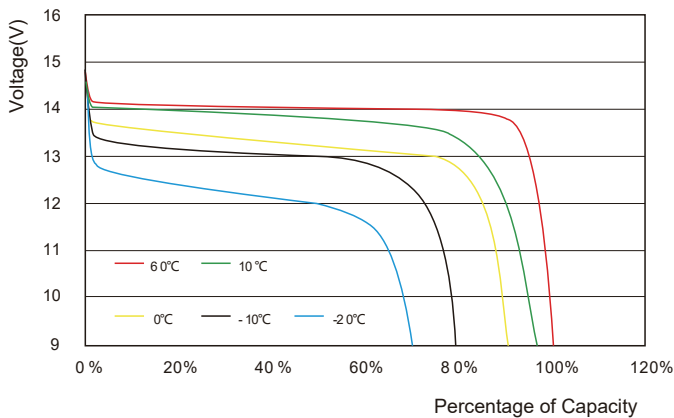
LifePO4



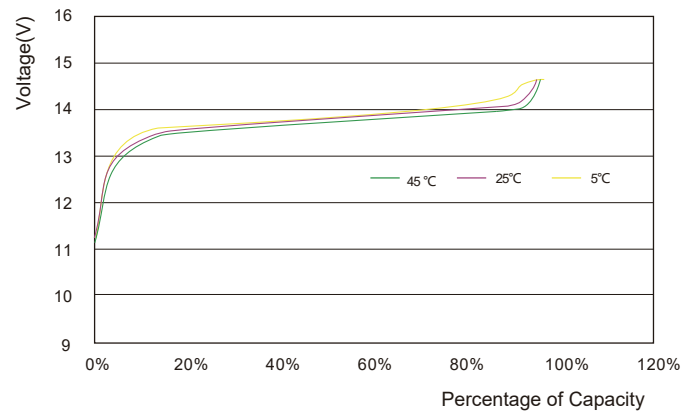
Discharge Data

Constant Current Discharge Data(25°C)						
Voltage/V	Current/A	0.1C	0.2C	0.3C	0.4C	0.5C
	Time/h					
12.0		9.475	4.858	3.254	2.420	1.925
11.6		9.927	4.948	3.309	2.453	1.960
11.2		10.003	4.996	3.344	2.494	1.990
10.8		10.101	5.044	3.359	2.510	2.000

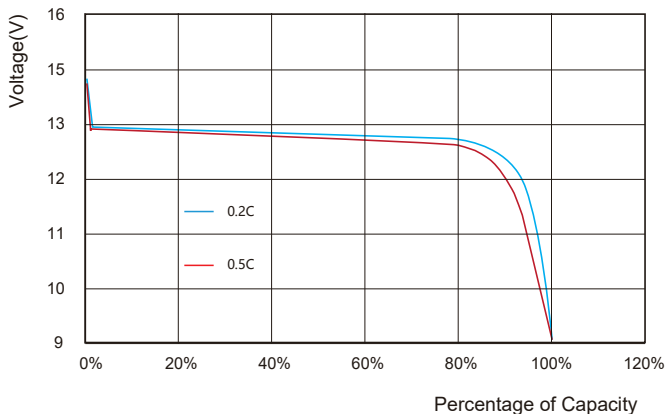
Performance Curve



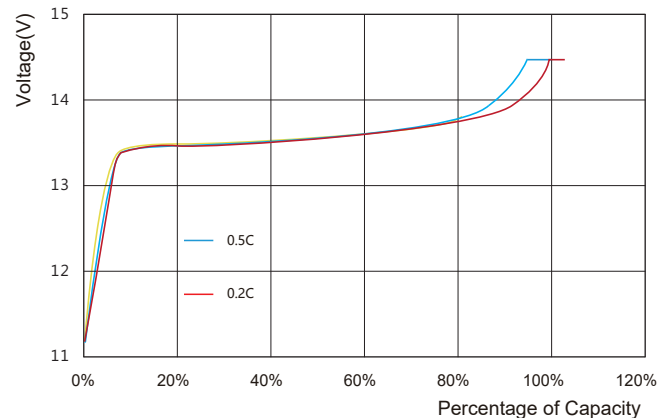
Discharge Curve at Different Temperature



Charge Curve at Different Temperature



Discharge Curve at Different Rate (25°C)



Charge Curve at Different Rate (25°C)